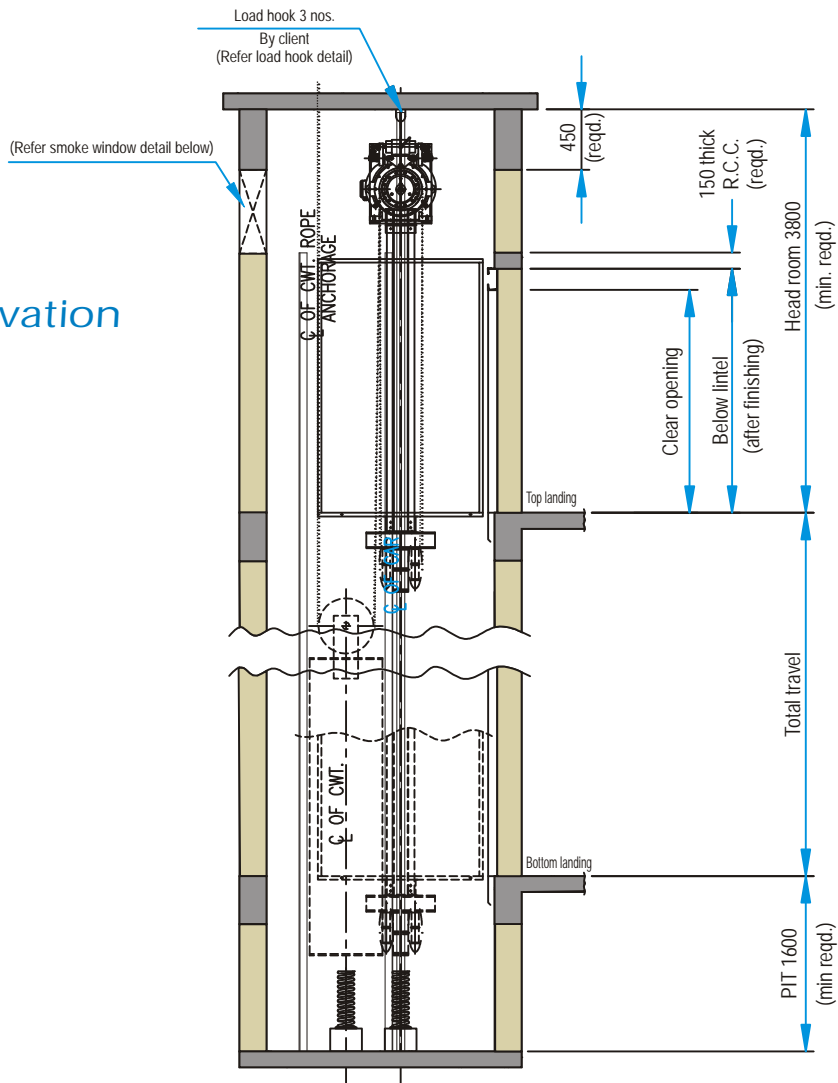
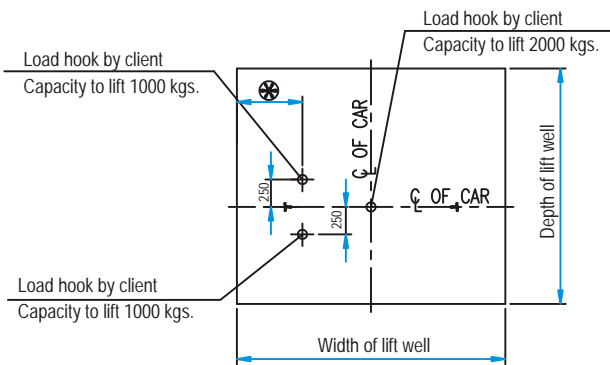


Elevation

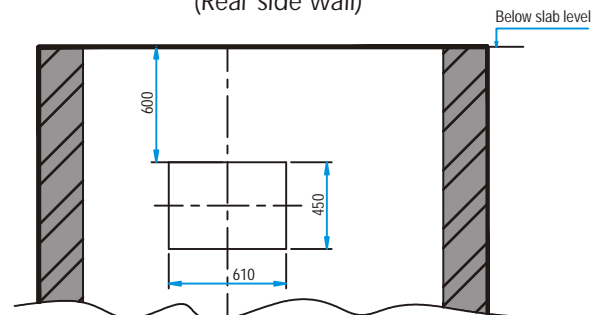


Load hook detail

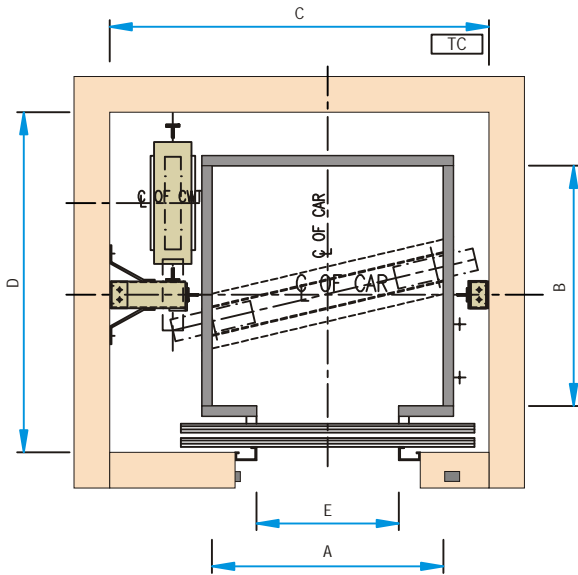


(⊗ Will be confirmed in GAD)

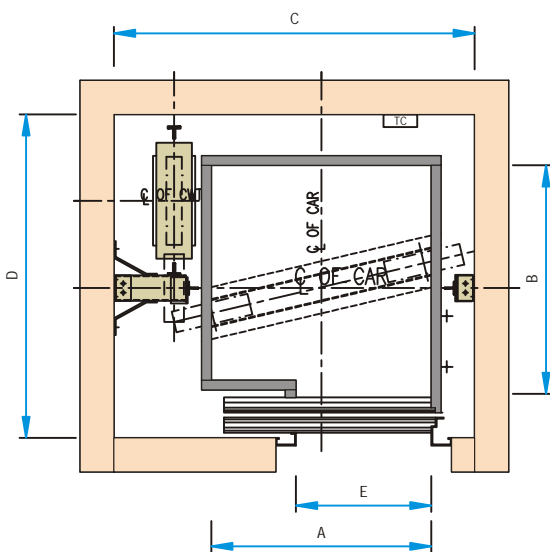
Smoke window cutout detail (Rear side wall)



Centre opening door lift:
Plan of liftwell



Side opening door lift:
Plan of liftwell



Note

1. All dimensions are in millimeters.
2. All dimensions are clear finished liftwells after plastering.
3. Dimensions are suitable for lifts speed upto 1.25 m/s.
4. Lifting hook in headroom required.
All walls minimum 150RCC or 230 brick.
(Hoistway front wall 230 brick preferred.)
5. RCC headroom structural slab 150 thick designed to sustain minimum 1000 kg/m^2 UDL.

For specific requirements our local representative will be happy to work with you in preparation of the drawings.

Centre opening door lift.

Load		Car Inside		Lift Well		Entrance
Persons	Kgs	A	B	C	D	E
6	408	1000	1100	1900	1750	700
				2000	1750	800
8	544	1000	1400	1900	1900	700
				1300	1100	800
10	680	1000	1750	1900	2250	700
				1300	1350	800
13	884	1650	1350	2500	1900	900
				2000	1100	900
15	1020	1600	1500	2500	2000	1000
				2000	1250	1000
16	1088	1600	1650	2500	2150	1000
				2000	1300	1000

Side opening door lift.

Load		Car Inside		Lift Well		Entrance
Persons	Kgs	A	B	C	D	E
6	408	900	1200	1750	1750	800
		950	1200	1800	1750	800
8	544	1300	1100	2150	1750	800
		1200	1200	2050	1800	800
10	680	1300	1350	2150	1950	800
		1400	1250	2250	1850	800
13	884	2000	1100	2850	1750	900
		1000	2200	1850	2800	900
15	1020	2000	1250	2850	1850	1000
		1000	2400	1850	3000	1000
16	1088	2000	1300	2850	1850	1000
		1200	2400	2050	3000	1000

Lift speed	Pit depth	Headroom
1.25 m.p.s	1600	3800

Lifts of 1.75 m.p.s and higher passenger capacity also available. Kindly contact our marketing personnel for more details.

Clear opening Height	Below lintel height from finished floor level
2000	2200
2100	2300
2200	2400